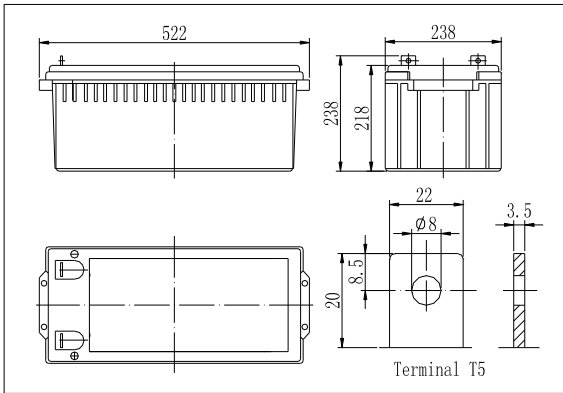
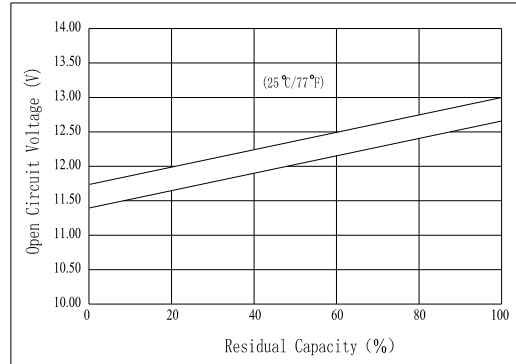


Dimensions



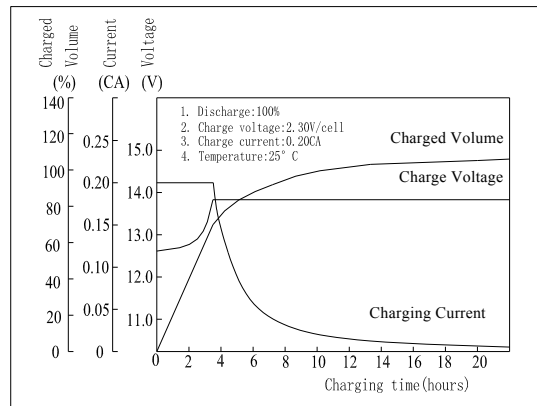
The Relationship for Open Circuit Voltage and Residual Capacity (25°C)



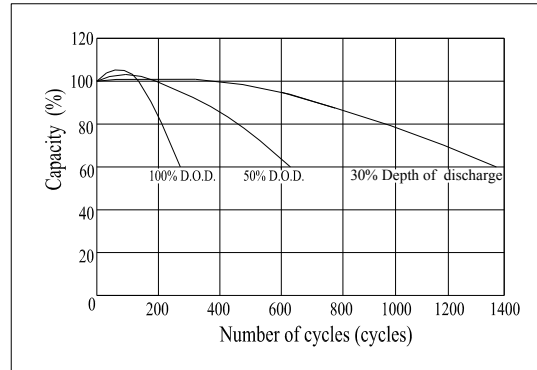
Specifications

Nominal Voltage		12 V
Capacity(10HR, 25°C)		200 Ah
Dimension	Length	522mm (20.55inch)
	Width	238mm (9.37inch)
	Height	218mm (8.58inch)
	Total Height	238mm (9.37inch)
Approx. Weight		65kg (143.3lbs)
Internal resistance (Fully charged, 25°C)		Approx. 3mΩ
Capacity affected by temperature (10HR)	40°C	102%
	25°C	100%
	0°C	85%
	-15°C	65%
Self-discharge (25°C)	3 month	Remaining Capacity: 91%
	6 month	Remaining Capacity: 82%
	12 month	Remaining Capacity: 65%
Nominal operating temperature		25°C ±3°C (77°F ±5°F)
Operating temperature range		-15°C ~50°C (5°F ~122°F)
Float charging voltage(25°C)		13.50 to 13.80V
Cyclic charging voltage(25°C)		14.50 to 14.90V
Maximum charging current		60A
Terminal material		Copper
Maximum discharge current		1600A(5 sec.)

Charging Characteristics(25°C)



Cycle Life(25°C)



Note: Floating life at 20°C designed for 7 to 10 years.

- ◆ Absorbent glass mat technology;
- ◆ Recognized by UL & CE;
- ◆ ABS container.

Constant Current Discharge Characteristics (A, 25°C)

F.V/TIME	5min	10min	15min	30min	60min	3h	5h	10h	20h
9.60V	663	439	374	212	131	55.0	38.2	20.3	10.4
10.2V	630	417	359	125	126	53.5	37.0	20.1	10.3
10.8V	592	392	341	119	120	52.4	36.3	20.0	10.2

Constant Power Discharge Characteristics (Watt, 25°C)

F.V/TIME	5min	10min	15min	30min	60min	3h	5h	10h	20h
9.60V	6962	4737	4103	2380	1497	639	444	242	124
10.2V	6613	4500	3939	2285	1437	629	437	240	123
10.8V	6217	4230	3742	2170	1365	617	429	240	122